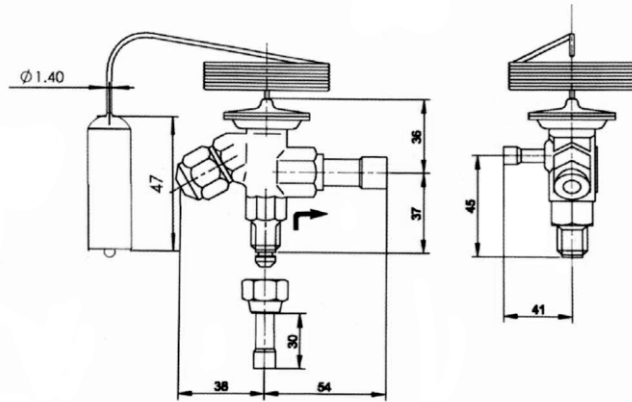


LFTEV

Thermostatic Expansion Valves



LEFOO



Dimension in : mm

LHRF-H is a kind of thermostatic expansion valve with interchangeable orifices suitable for automatic supply and regulation of the refrigerating agent of small and middle size dry evaporator. Constant superheat adjusting performance. Changeable orifice. Suitable for R22, R134a, R407C, R404A/R507. SAE or ODF connection. Evaporating temperature range: 60°C ~ +10°C.

Model Selection

LFRF(T2\TE2) Expansion valve type & data

(separate or full set purchase, with Temperature sensing bulb fix fasten, valve core and connect nuts please separate purchase.)

Refrigerant	Model		balanced way	capillary vessel	connector		
					Inlet	Out let	Equalizing
					In/mm	In/mm	In/mm
R22	R22N-H	TX2	inner balance type	1500	3/8"/9.52	1/2"/12.7	
	R22W-H	TEX2	outer balance type	1500	3/8"/9.52	1/2"/12.7	1/4"/6.35
R407C	R407CN-H	TZ2	inner balance type	1500	3/8"/9.52	1/2"/12.7	
	R407CW-H	TEZ2	outer balance type	1500	3/8"/9.52	1/2"/12.7	1/4"/6.35
R134a	R134aN-H	TN2	inner balance type	1500	3/8"/9.52	1/2"/12.7	
	R134aW-H	TEN2	outer balance type	1500	3/8"/9.52	1/2"/12.7	1/4"/6.35
R404A/R507	R404A/R507N-H	TS2	inner balance type	1500	3/8"/9.52	1/2"/12.7	
	R404A/R507W-H	TES2	outer balance type	1500	3/8"/9.52	1/2"/12.7	1/4"/6.35

Mark: only outer balance type expansion valve have balance connector

Orifice type & data

orifice	Nominal capacity (RT)				Nominal capacity (KW)			
	R22	R407C	R134A	R404A R507	R22	R407C	R134A	R404A R507
OX	0.15	0.16	0.11	0.11	0.5	0.5	0.4	0.38
00	0.3	0.3	0.25	0.21	1.0	1.1	0.9	0.7
01	0.7	0.6	0.5	0.45	2.5	2.7	1.8	1.6
02	1.0	1.1	0.8	0.6	3.5	3.8	2.6	2.1
03	1.5	1.6	1.3	1.2	5.2	5.6	4.8	4.2
04	2.3	2.5	1.9	1.7	8.0	8.6	6.7	6.0
05	3.0	3.2	2.5	2.2	10.5	11.3	8.6	7.7
06	4.5	4.9	3.0	2.6	15.5	16.7	10.5	9.1